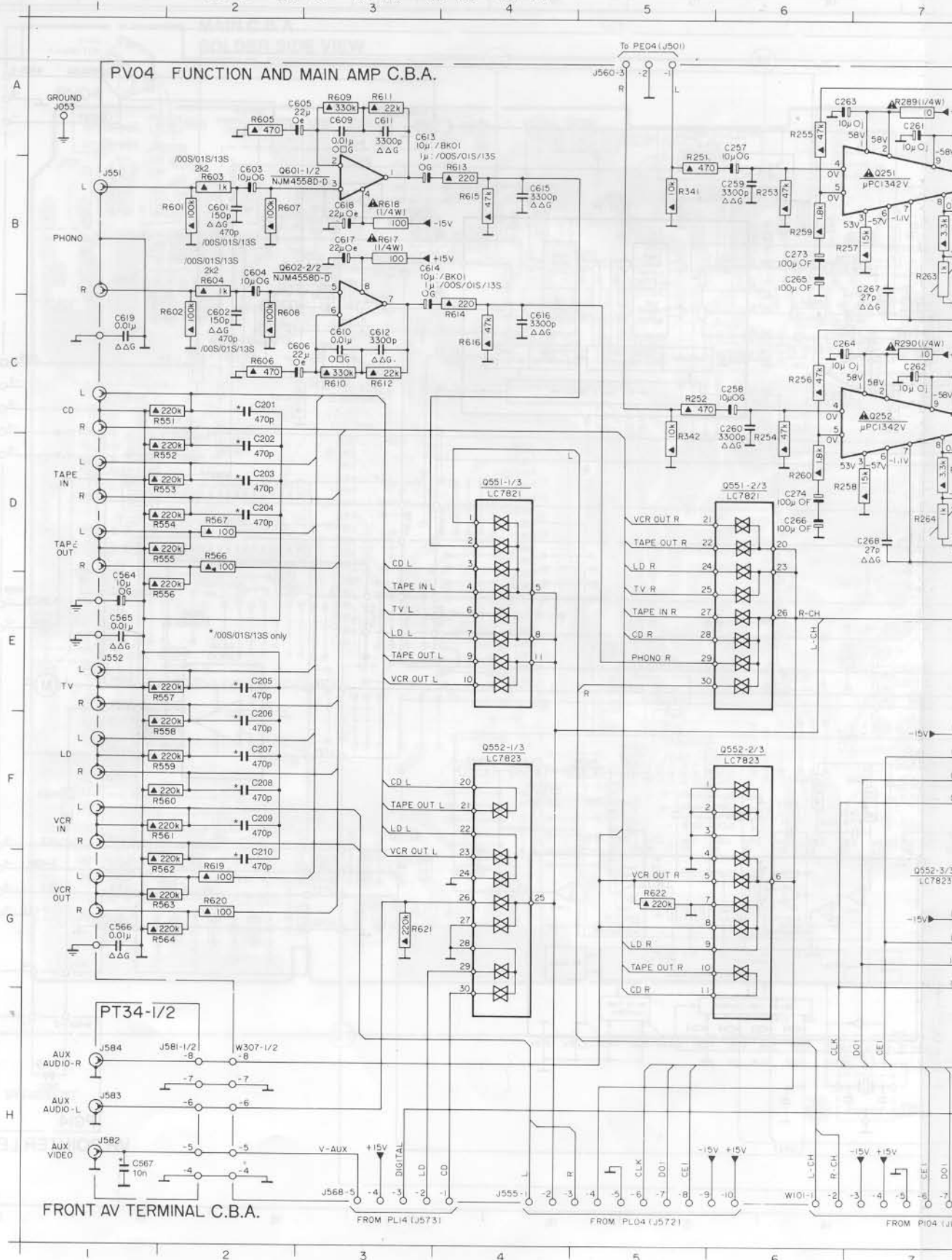


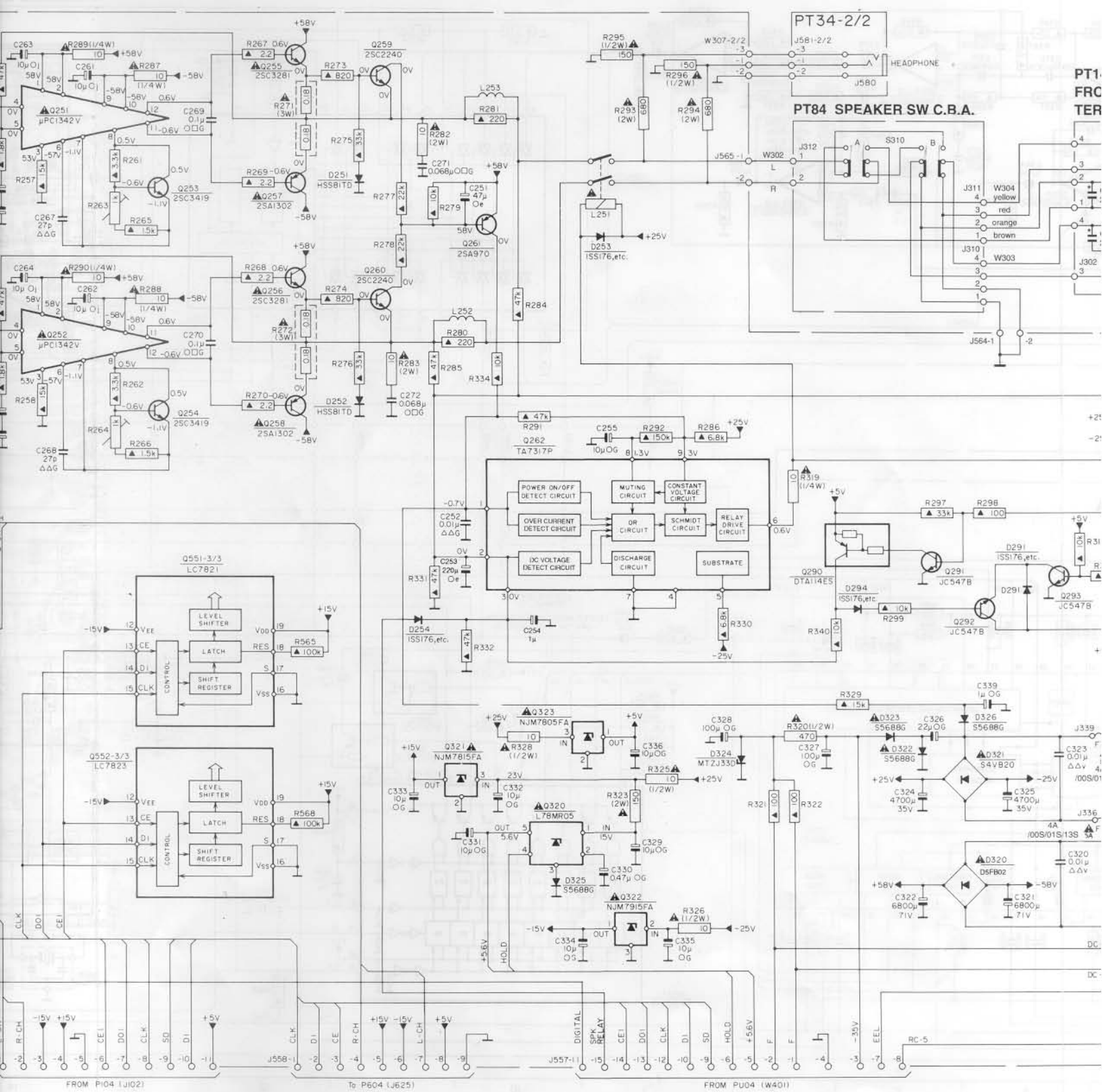
FUNCTION AND MAIN AMP SCHEMATIC DIAGRAM

C201	C2	C207	F2	C286	B15	J300	B16	J329	E18	J334	F19
C202	D2	C208	F2	C287	B15	J311	B14	J330	F18	J564	C14
C203	D2	C209	F2	C338	E18	J312	B13	J331	F18	S310	B13
C204	D2	C210	G2	C567	H2	J326	E18	J332	E17	S321	F18
C205	E2	C282	B15	F321	F18	J327	E18	J332	F18		
C206	F2	C285	B15	F322	E18	J328	E18	J331	F19		

C251	B10	C262	C7	C272	D9	C325	G14	C33
C252	E10	C263	A6	C273	B6	C326	F14	C33
C253	F10	C264	C6	C274	D6	C327	G13	C33
C254	E10	C265	B6			C328	F12	C33
C255	D11	C266	D6			C329	G11	C33
C257	B6	C267	B7	C320	G15	C330	H11	C33
C258	C6	C268	D7	C321	H14	C331	G10	C33
C259	B6	C269	B8	C322	H14	C332	G10	C56
C260	C6	C270	C8	C323	G15	C333	G10	C56
C261	A7	C271	B10	C324	G14	C334	H11	C56



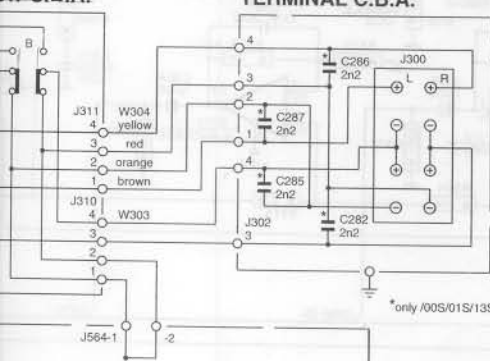
D9	C325	G14	C335	H12	C601	B2	C613	B3	D254	F10	D325	H11	J290	F15	J324	H18	J332	C19	J339	F15	J563	F15	L001	D17	Q256	C9	Q293	E15	Q552	G8	R256	F1
B6	C326	F14	C336	B19	C602	C2	C614	B3	D291	E14	D326	F14	J302	C15	J325	G18	J332	E18	J351	B1	J565	B12	L001	F16	Q257	B9	Q320	G11	Q601	B3	R255	F1
	C327	C13	C336	G11	C603	B2	C615	B4	D295	E16	F001	B18			J326	E18	J333	C20	J552	E1	J568	H3	L251	B11	Q258	E9	Q321	G10	Q602	C3	R261	F1
	C328	F12	C337	G18	C604	B2	C616	B4	D296	E16	F320	H17					J334	C20	J553	H15	J568	H3	L252	C10	Q259	A9	Q322	H11	R251	B5	R261	F1
	C329	G11			C605	A2	C617	B3	D296	E16	F321	E18					J334	C20	J554	H15	J581	A13	L253	A10	Q260	C9	Q323	F11	R252	C5	R262	F1
G15	C330	H11	C338	E18	C606	A2	C618	B3	D320	H14	F323	G15	J320	G18	J327	E18	J334	E19	J555	H4	J582	H1	L251	B7	Q261	B10	Q324	D4	R253	B6	R263	F1
H14	C331	G10	C339	F14	C609	A3	C619	C1	D321	G14	F324	G15	J321	H17	J330	E18	J335	H18	J557	H11	J582	H1	Q252	C7	Q262	D10	Q325	D6	R254	C6	R264	F1
	C332	G10	C364	E1	C610	C3	C621	B9	D322	G14	F001	B18	J322	H17	J331	E18	J336	G15	J558	H9	J583	H1	Q253	B8	Q290	E13	Q326	E8	R255	A6	R265	F1
C15	C333	G10	C365	E1	C611	A3	D252	D9	D323	F13	J053	A1	J323	G17	J332	B19	J337	G15	J560	A5	J584	H1	Q254	D8	Q291	E14	Q327	F4	R256	C6	R266	F1
G14	C334	H11	C366	G1	C612	C3	D253	C11	D324	G12	J250	E15	J323	H17	J332	D18	J338	F15	J561	F15			Q255	A9	Q292	E14	Q328	F6	R257	B7	R267	F1



Q293 E15	Q552 G8	R258 D7	R268 C8	R278 C9	R288 C7	R298 E14	R326 H12	R342 C5	R560 F1	R602 C2	R612 C3
Q320 G11	Q601 B3	R259 B6	R269 B8	R279 B10	R289 A7	R299 E14	R327 H18	R551 C1	R561 F1	R603 B2	R613 B4
Q321 H10	Q602 C3	R260 D6	R270 D8	R280 C10	R290 C7	R300 E15	R328 F10	R552 D1	R562 G1	R604 B2	R614 C4
Q322 H11	R251 B6	R261 B7	R271 A9	R281 B10	R291 D10	R318 E15	R329 F13	R553 D1	R563 G1	R605 A2	R615 B4
Q323 F11	R252 C9	R262 D7	R272 C9	R282 B10	R292 D11	R319 D13	R330 F12	R554 D1	R564 G1	R606 C2	R616 C4
Q551 D4	R253 B6	R263 B7	R273 A9	R283 D9	R293 B11	R320 F13	R331 E10	R555 D1	R565 F9	R607 B2	R617 B3
Q551 D6	R254 C6	R264 D7	R274 C9	R284 C10	R294 B12	R321 G12	R332 F10	R556 E1	R566 D2	R608 C2	R618 B3
Q551 E8	R255 A6	R265 B7	R275 B9	R285 D12	R295 A11	R322 G13	R334 D10	R557 E1	R567 D2	R609 A3	R619 G2
Q552 F4	R256 C6	R266 D7	R276 D9	R286 D12	R296 A12	R323 G11	R340 F13	R558 F1	R568 G9	R610 C3	R620 G2
Q552 F6	R257 B7	R267 A8	R277 B9	R287 A7	R297 E14	R325 G11	R341 B5	R559 F1	R601 B2	R611 A3	R621 G3

14 15 16 17 18 19 20

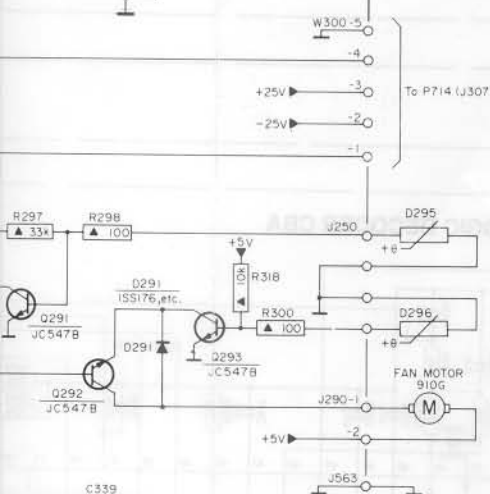
**PT14
FRONT SPEAKER
TERMINAL C.B.A.**



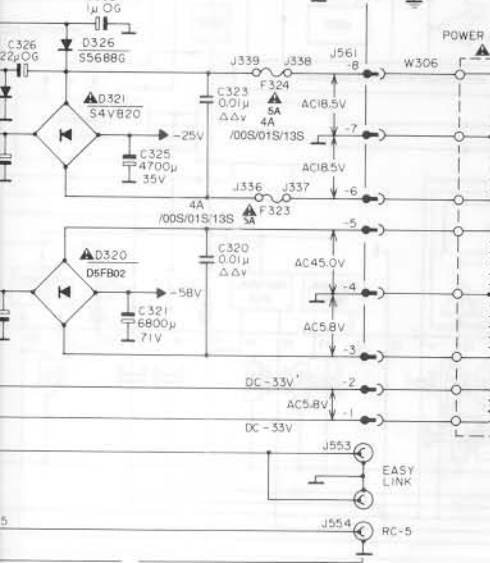
SYMBOL LEDGEND NOTE:

FOR AN EXPLANATION OF COMPONENT SYMBOLS REFER TO THE COMPONENT SYMBOL CHART ON THE LOWER HALF OF PAGE 10. ALSO NOTE THE FOLLOWING WITH REGARD TO THE SCHEMATICS SHOWN HERE.

- INDICATES SIGNAL GROUND.
- INDICATES CHASSIS GROUND.
- INDICATES AN ELECTROLYTIC CAPACITOR. THE SAME AS:
- INDICATES AN .125W OR .2 W RESISTOR. THE SAME AS:
- INDICATES A VARIABLE RESISTOR SUCH AS:



**P814
POWER SWITCH C.B.A.**

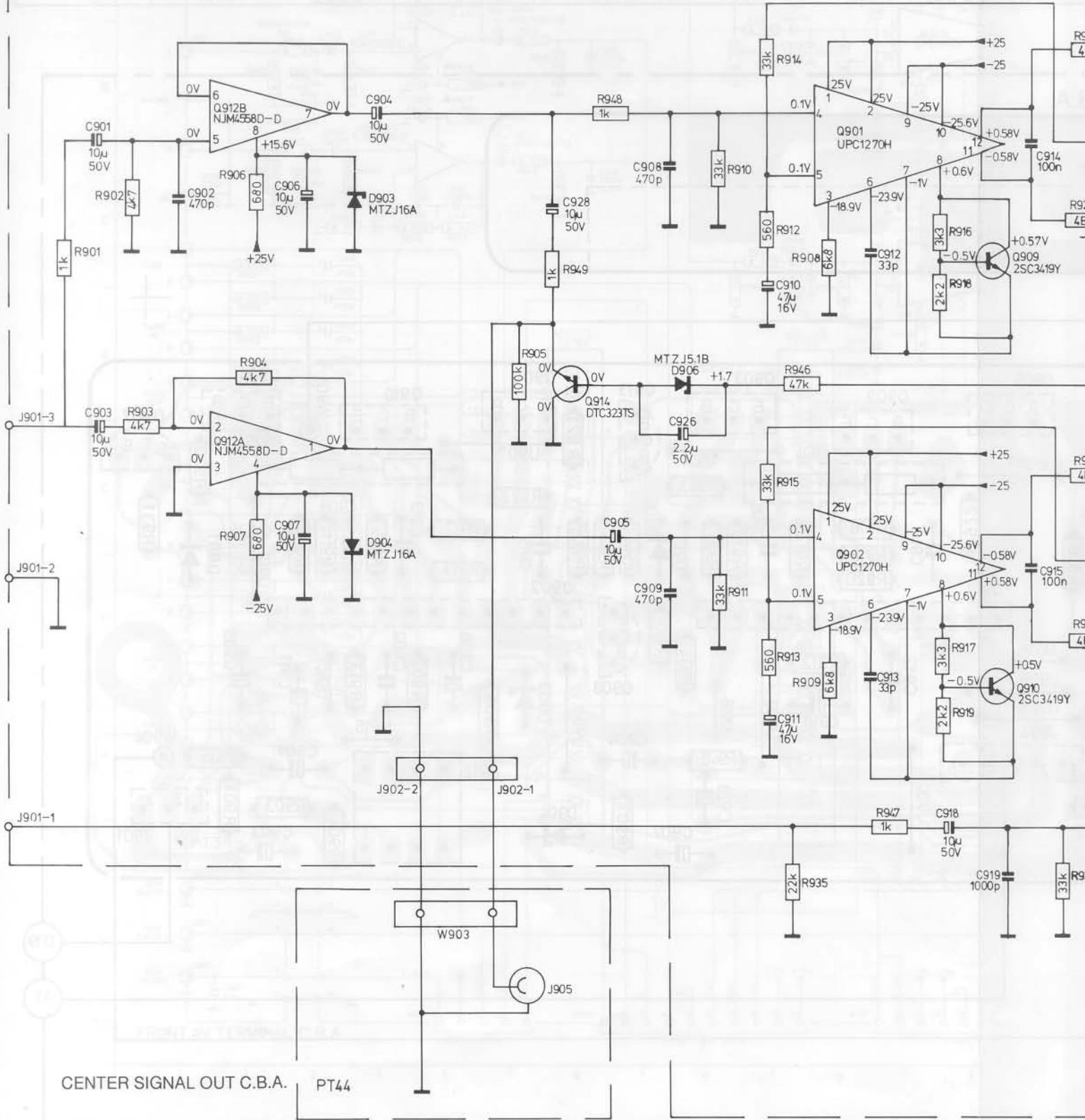


**P804
POWER SWITCH C.B.A.**

14 15 16 17 18 19 20

R	R901	R902	R906		R905	R948	R910	R914	R912	R946	R908	R916	R918	R920	R922
C	C901	R903		R904	R907	C906	C904	C928	C905	C908	C926	C910	C912	C913	C914
Q, D	C903	C902	Q912B		D903	Q914	D906	Q901	Q909	Q910	Q911	C918	C919	C915	
J, L	J901	Q912A		D904	J902	W903	J905	Q902	Q910						

P724 SURROUND AND CENTER AMPLIFIER SCHEMATIC DIAGRAM



R916 R918	R920 R922	R924	R943	R944 R938	R945 R932 R933	R934	R926	R928
R917 R919	R923 R921	R936 R925 R937 R930	R931 R939	R929	R927	R941 R940		
C914	C915	C920	C921	C922	C917		C916	C924
C918	C919	Q909	Q905	Q903	D905	Q913	Q908	D902
Q910	Q904	Q905	Q911	D901	Q907			
							L901	J903 J904
							W902	J908
								J906 J907

